

施工说明书

Installation Manual

安装产品前请仔细阅读本施工说明书，并保留备用。
Before installing the product, please read the Installation Manual carefully and keep it for future reference.

TOTO

TOTO

OG5521Y
2022.02

目录

目 录

目 录.....	1
明细单.....	2
使用条件与施工上的注意.....	3
施工上的注意与保养.....	4
安装完成图.....	5-10
花洒的安装.....	11-12
生产厂家与销售商.....	13

明细单

明细单

花洒头.....	1个
连接管.....	1根
装饰盖部.....	1套
弯头.....	1个
施工说明书.....	1本
使用说明书.....	1本

使用此明细单的产品包括:
TBW07001*1* 固定式淋浴头
TBW07002*1* 固定式淋浴头
TBW07003*1* 固定式淋浴头
TBW08001*1* 固定式淋浴头
TBW08002*1* 固定式淋浴头
TBW08003*1* 固定式淋浴头

使用条件与施工上的注意

使用条件

1. 供冷水*热水压强：
最低压强……………0.05MPa（流动压）
最高压强……………0.5MPa（静压）
推荐使用压强……………0.15MPa（流动压）-0.5MPa（流动压）
检测压强……………0.5MPa（流动压）
2. 供水温度不得超过70℃，建议使用热水温度60℃以下，供热水请勿使用蒸汽。
3. 使用环境温度1℃~60℃，如果低于0℃，花洒会出现变形、冻裂等现象。
4. 为防止花洒内部损坏，花洒侧吐水温度不得超过60℃，建议使用温度45℃以下。
5. 长时间不使用时，可能导致花洒内部及外部锈蚀不能使用等现象。
6. 如果您需要废弃本产品，请勿将其作为一般生活垃圾处理，请依照法规经由独立的回收体系进行合适的处理、恢复和回收。
7. 本说明书中的产品具有清洗功能。

施工上的注意

- ⚠ 警告** 表示如果无视此标志而误操作时，有可能造成人员重伤或死亡。
⚠ 注意 表示如果无视此标志而误操作时，有可能造成人身伤害或财产损失。

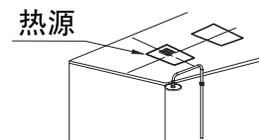
⚠ 警告

1. 花洒的供热水一侧处于高温状态，请勿使皮肤直接接触五金配件表面，否则可能会烫伤。
2. 请勿配反冷*热水配管，否则可能会烫伤。
3. 供热水请勿使用蒸汽，否则可能会烫伤。
4. 当直接从吐水口侧切换到淋浴器侧或从淋浴器侧切换到吐水口侧时，水温会发生变化，要用手测试水温后再使用，否则可能会烫伤。

施工上的注意与保养

⚠ 注意

1. 由于花洒内含有精密部件，请勿擅自分解，否则可能会造成漏水等不良。
2. 请勿撞击本产品，否则可能会造成故障、漏水。
3. 随着产品式样的不断更新，实物存在与图示不符的情况，但基本安装、使用原理相同。
4. 本产品必须远离暖风机或浴霸等发热源，否则可能会损坏花洒表面和内部结构。



5. 在可能结冰的场所使用时，要切实做好防冻措施。因结冰，零件破损，有可能导致漏水，造成财产损失。因结冰而造成的破损即使在保修期内也是有偿修理。请不要让产品的环境温度低于0℃。

防冻措施

在可能结冰的场所使用时，要切实做好防冻措施。

1. 产品结冰的话零件损坏，成为漏水的原因。
2. 因结冰造成的零件破损即使在保修期也是有偿修理。
3. 施工完了后或长时间不使用时，要有预防突然降温的准备，要对产品进行结冰预防。
4. 因为有结冰的危险，请不要让产品周围的温度在0℃以下。

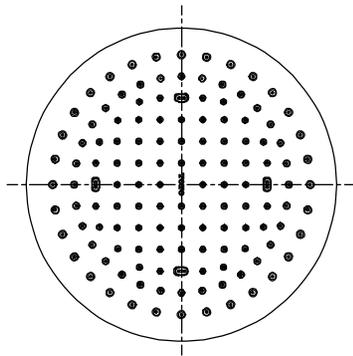
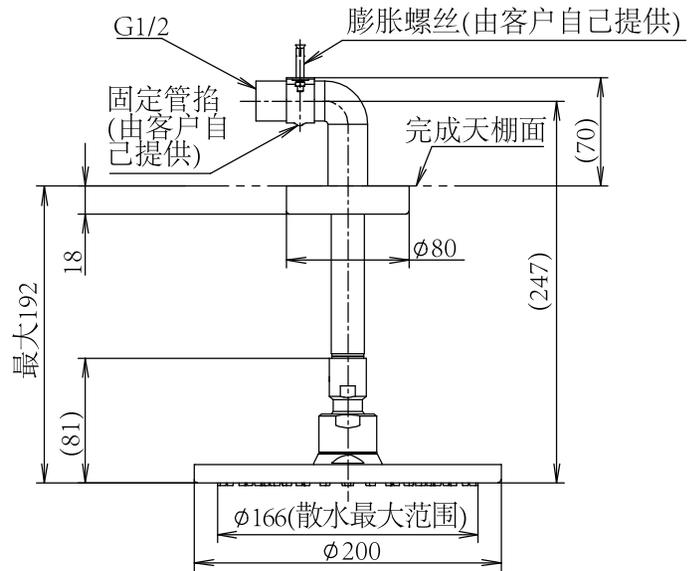
保养

为长期保持产品的美观，请用户按以下方法维护保养。

1. 经常用软布擦拭，间或用软布蘸水擦拭。
2. 当有污垢且比较明显时，请用中性洗涤剂擦拭后充分进行水洗。

安装完成图

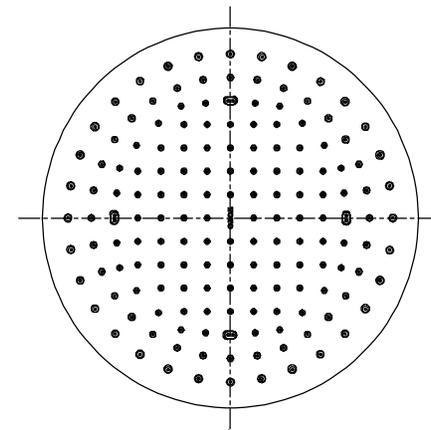
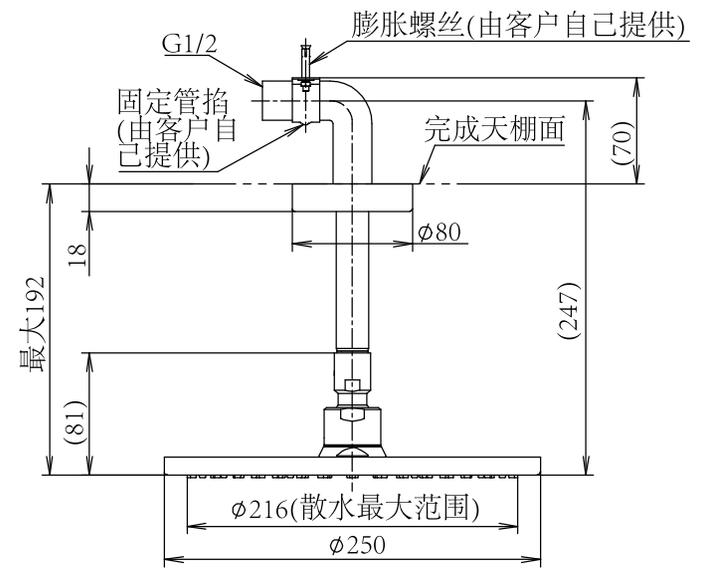
TBW07001*1* 固定式淋浴头



注：上記尺寸单位为mm；()内尺寸为参考尺寸。

安装完成图

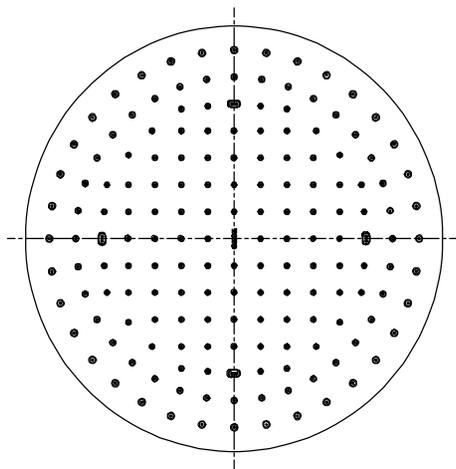
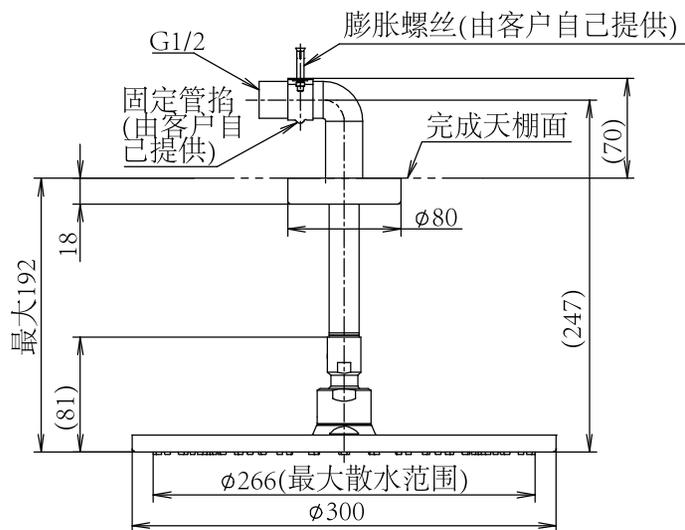
TBW07002*1* 固定式淋浴头



注：上記尺寸单位为mm；()内尺寸为参考尺寸。

安装完成图

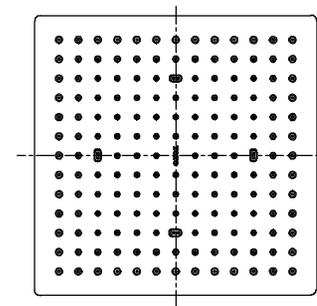
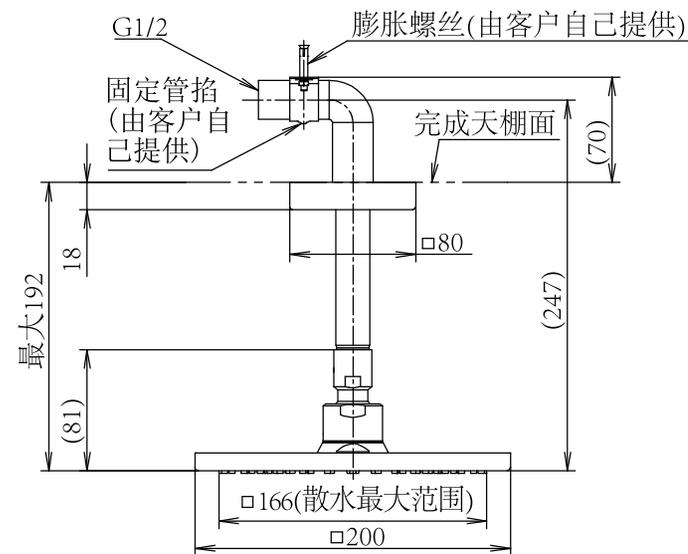
TBW07003*1* 固定式淋浴头



注：上記尺寸单位为mm；()内尺寸为参考尺寸。

安装完成图

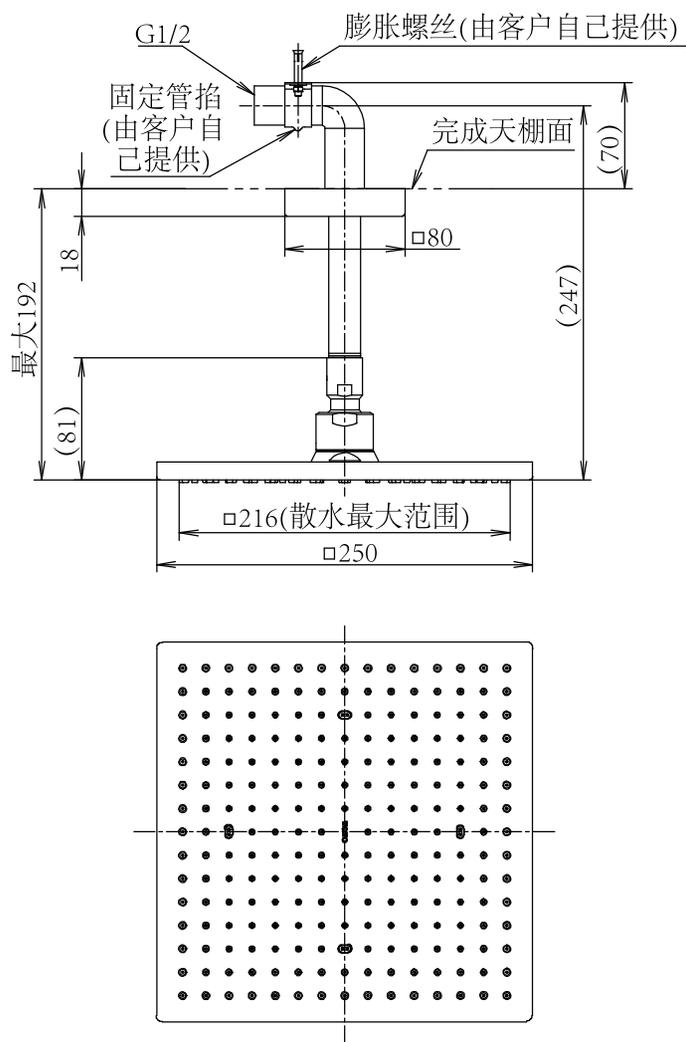
TBW08001*1* 固定式淋浴头



注：上記尺寸单位为mm；()内尺寸为参考尺寸。

安装完成图

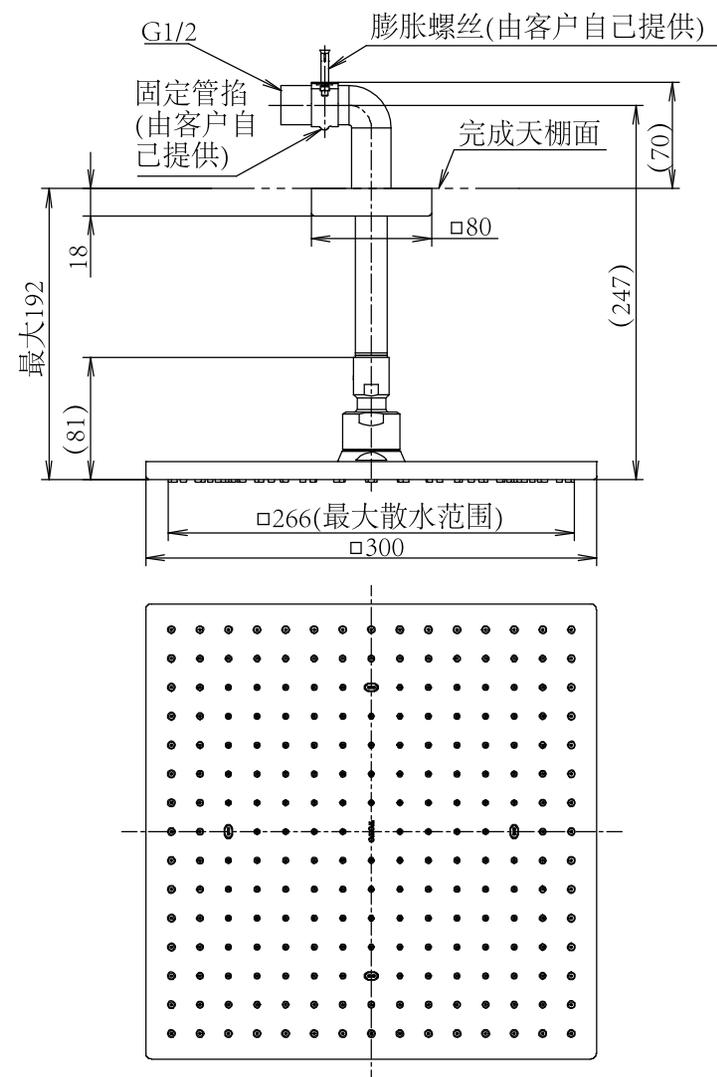
TBW08002*1* 固定式淋浴头



注：上記尺寸单位为mm；()内尺寸为参考尺寸。

安装完成图

TBW08003*1* 固定式淋浴头



注：上記尺寸单位为mm；()内尺寸为参考尺寸。

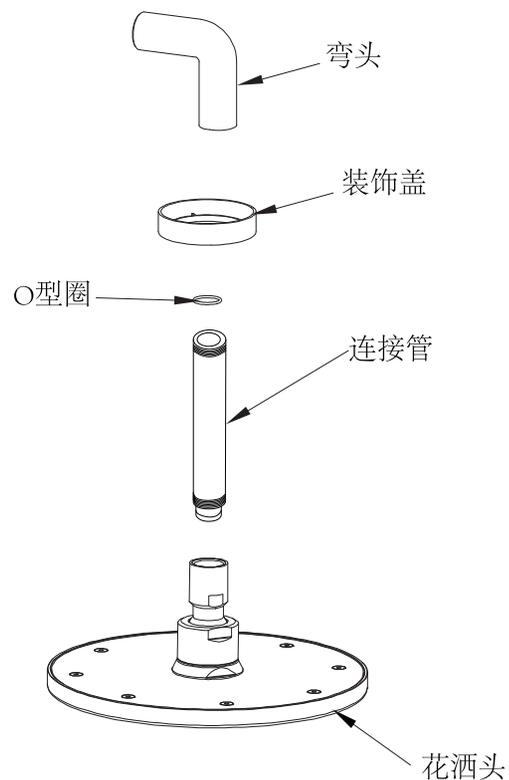
花洒的安装

事前准备的工具



安装前确认

- 确认供水管已经关闭，确认安装前水路进行清洗了。
- 仔细阅读施工说明书并按照说明书的安装要领来进行安装。
- 确认您所看到的包装盒内的部件同下图相同。

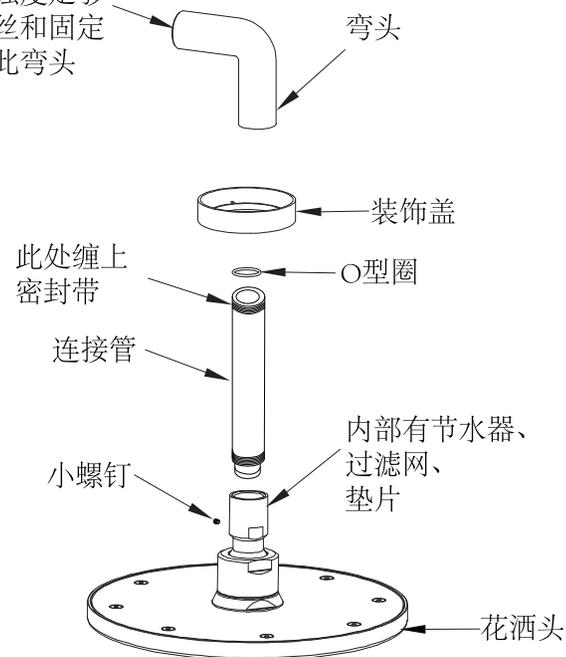


花洒的安装

花洒的安装(以TBW07001*1*为例)

1. 首先进行供水管路的清洗及耐压检查，安装过程中也应充分注意勿使泥沙等杂质进入花洒或供水管内部。

※ 必须使用强度足够的膨胀螺丝和固定管掐来固定此弯头



2. 水嘴的安装:

- (1) 先将O型圈安装在装饰盖上后套在连接管上;
- (2) 将弯头旋入供水管接头中，在连接管螺纹处缠上适量密封带，并旋入弯头中，调整弯头和连接管使连接管竖直向下;
- (3) 将花洒头与连接管旋紧，注意内部的过滤网、垫片不要掉落，参照完成图调整好“TOTO”的方向后，将小螺钉用六角扳手旋入螺纹孔中，注意充分旋紧;
- (4) 最后将装饰盖调整好即可。

生产厂家与销售商

执行标准：GB/T 23447-2009、GB 28378-2019

产品型号：见包装箱上的标签

产品名称：见包装箱上的标签

生产日期：见包装箱上的标签

组装工厂：东陶（大连）有限公司

电 话：（0411）87624383

厂 址：大连经济技术开发区东北二街17号

东陶(中国)有限公司

全国售后服务电话：800-820-9787(固定电话)

400-820-9787(手机用户)

销售商：东陶(中国)有限公司

地 址：北京市朝阳区光华路1号 北京嘉里中心北楼1915室

网 址：www.toto.com.cn

Table of Contents

Table of Contents

Table of Contents	1
Specification	2
Use Conditions and Attention on Installation	3
Attention and Maintenance for Installation	4
Installation completion diagram.....	5-10
Installation of Rain Shower.....	11-12

Specification

Specification

Rain Shower	1 set
Rain Shower Arm	1 piece
Escutcheon	1 set
Elbow	1 piece
Installation Manual	1 copy
User Manual	1 copy

Products using this specification include:

- TBW07001*1* "G Shower"1mode Overhead Shower 200(Standard Type)
- TBW07002*1* "G Shower"1mode Overhead Shower 250(Standard Type)
- TBW07003*1* "G Shower"1mode Overhead Shower 300(Standard Type)
- TBW08001*1* "G Shower"1mode Overhead Shower 200(Contemporary Type)
- TBW08002*1* "G Shower"1mode Overhead Shower 250(Contemporary Type)
- TBW08003*1* "G Shower"1mode Overhead Shower 300(Contemporary Type)

Use Conditions and Attention on Installation

Use Conditions

- 1.Pressure for cold water * hot water supplying
Minimum pressure.....0.05 MPa (flow pressure)
Maximum pressure.....0.5 MPa (static pressure)
Recommended pressure.....0.15 ~ 0.5 MPa (flow pressure)
Detection pressure.....0.5 MPa (static pressure)
- 2.Water supply temperature should be not higher than 70°C, lower than 60°C recommended. Do not use steam to supply hot water.
- 3.Ambient temperature for use is 1°C~60°C.Ambient temperature of the use above 0°C. If it is lower than 0°C, the shower will have some issues such as deformations, cracking, etc.
- 4.To prevent internal damage to the shower, the temperature of the water laterally flowed from the showerhead should not exceed 60°C. The recommended temperature is below 45°C.
- 5.When it is not used for a long time, it may cause the inside and outside of the shower to rust and corrode, leading to malfunction.
- 6.If you need to dispose of this product, do not dispose of it as general household waste. Please follow the regulations to properly dispose, recover and recycle it through an independent recycling system.
- 7.The products stated in the Manual have a cleaning function.

⚠ Attention on Installation

- ⚠ Warning:Indicates that if you overlook this sign, causing misoperation, it may result in serious injury or death.
- ⚠ Attention:Indicates that if you overlook this sign, causing misoperation, it may cause personal injury or property damage.

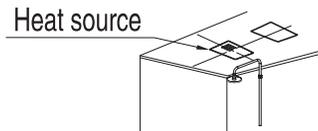
⚠ Warning

- 1.As one side of the shower to supply hot water is in a high-temperature state, do not let the skin be directly in contact with the surface of the hardware fitting; otherwise it may cause burn injuries.
- 2.Do not assemble cold * hot water tubing incorrectly; otherwise it may cause burn injuries.
- 3.Do not use steam when supplying hot water; otherwise it may cause burn injuries.
- 4.When you switch from the water outlet side to the shower side, or from the shower side to the water outlet side directly, the water temperature will change, so please use the water after feeling the water temperature with the hand, otherwise scalding may occur.

Attention and Maintenance for Installation

⚠ Attention

1. Since the rain shower has precise components inside, do not disassemble it without authorization; otherwise it may cause water leakage and other defects.
2. Do not hit this product; otherwise it may cause malfunction or water leakage.
3. With the product model being updated constantly, the physical object may not coincide with the figure. However, the basic installation and operation principles are the same.
4. Keep this product away from heat sources, such as fan heater and bath heater. Otherwise, surface and internal structure of rain shower may be damaged.



5. When using the product at a place that may freeze, anti-freezing measures should be taken properly. If any part is damaged due to being frozen, it may cause leakage and property damage. In case of the product damage due to freezing, it requires for paid repair technician even within warranty period. Please do not use the product at ambient temperature lower than 0°C.

Anti-freezing measures

When using the product at a place that may freeze, anti-freezing measures should be taken properly.

1. It is one of the causes of water leakage when any part of the product is damaged due to freezing.
2. In case of the product damage due to freezing, it requires for paid repair technician even within warranty period.
3. After the product is installed or won't be used for a long time, preventive measures should be taken for sudden drop of temperature to prevent the product from being frozen.
4. Do not put the product at ambient temperature below 0°C for fear of freezing.

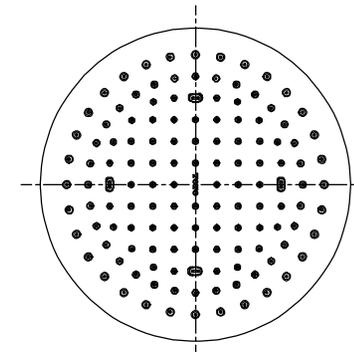
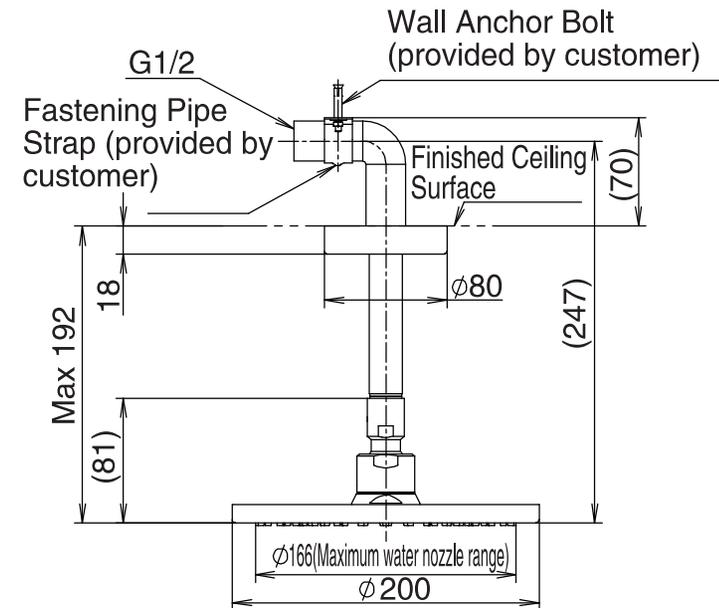
Maintenance

In order to maintain the decent appearance of the product for a long time, please maintain it according to the following methods.

1. Wipe with a soft cloth often, or wipe with a soft cloth with water occasionally.
2. When there is dirt and it is obvious, please wash it with water thoroughly after wiping it with neutral detergent.

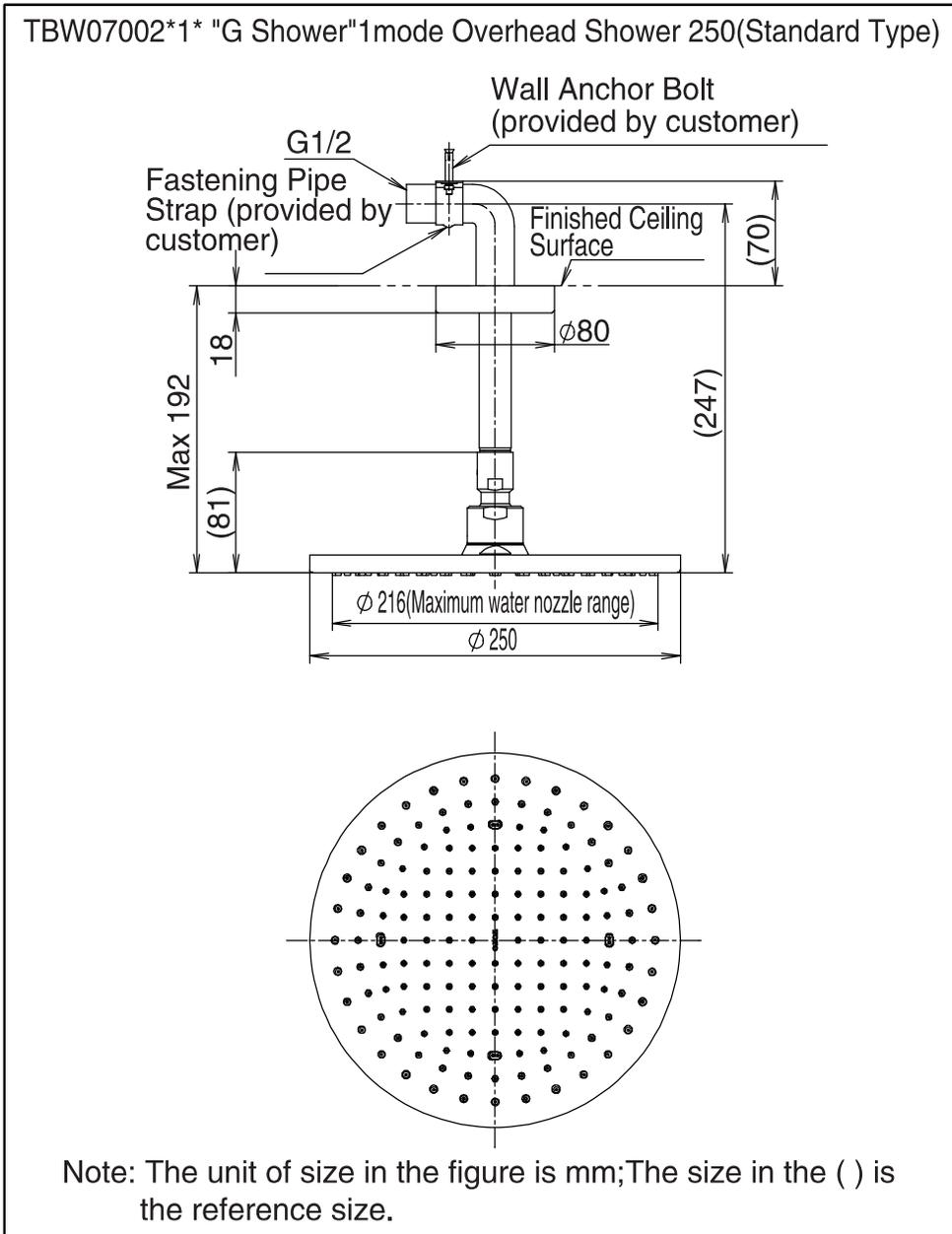
Installation completion diagram

TBW07001*1* "G Shower"1mode Overhead Shower 200(Standard Type)

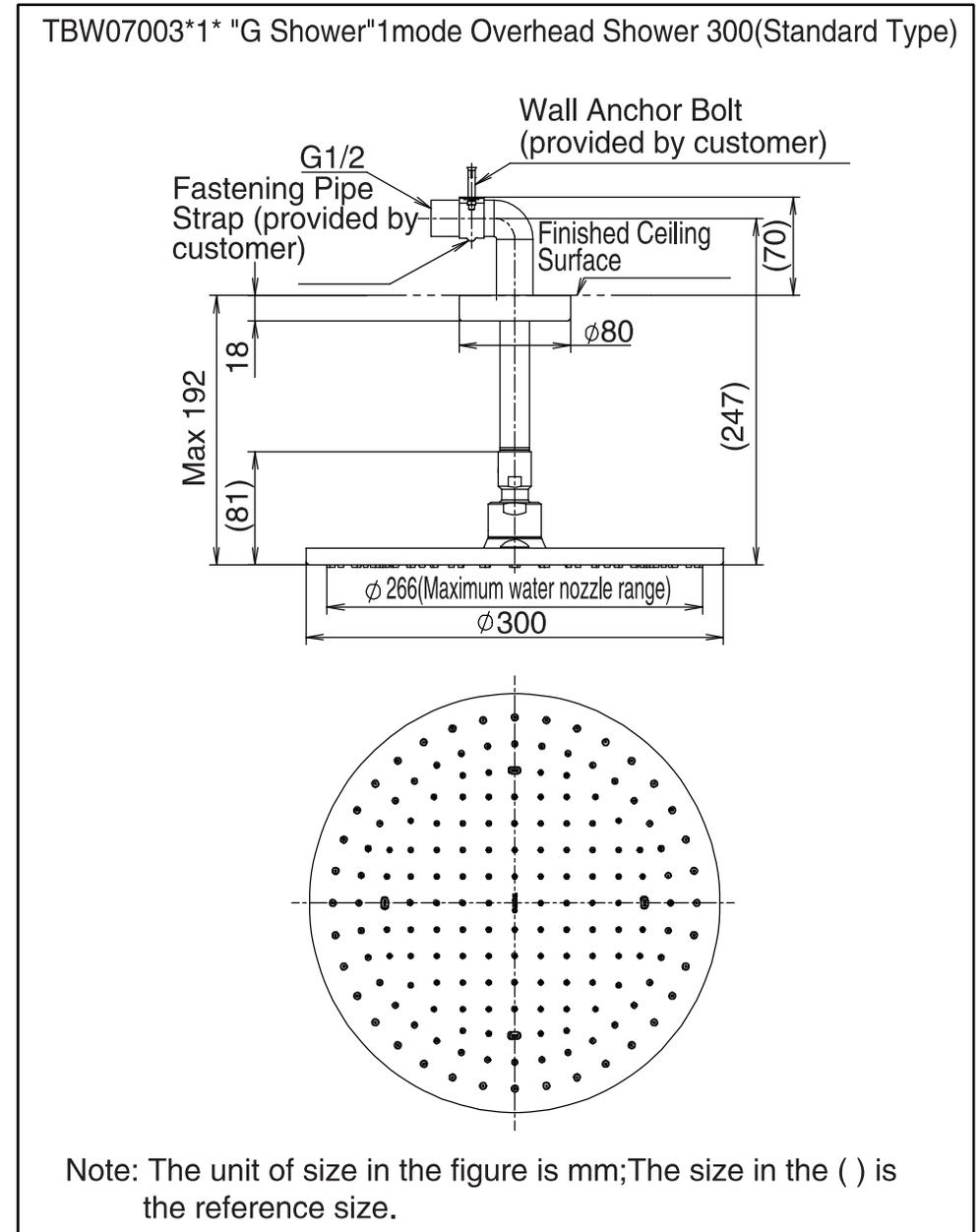


Note: The unit of size in the figure is mm; The size in the () is the reference size.

Installation completion diagram

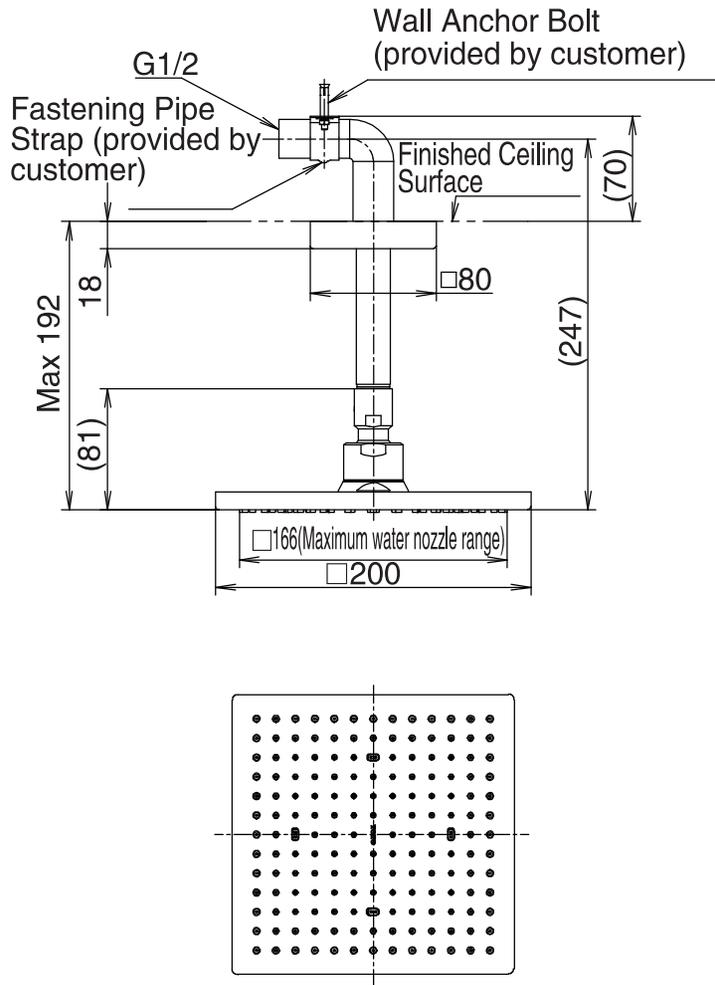


Installation completion diagram



Installation completion diagram

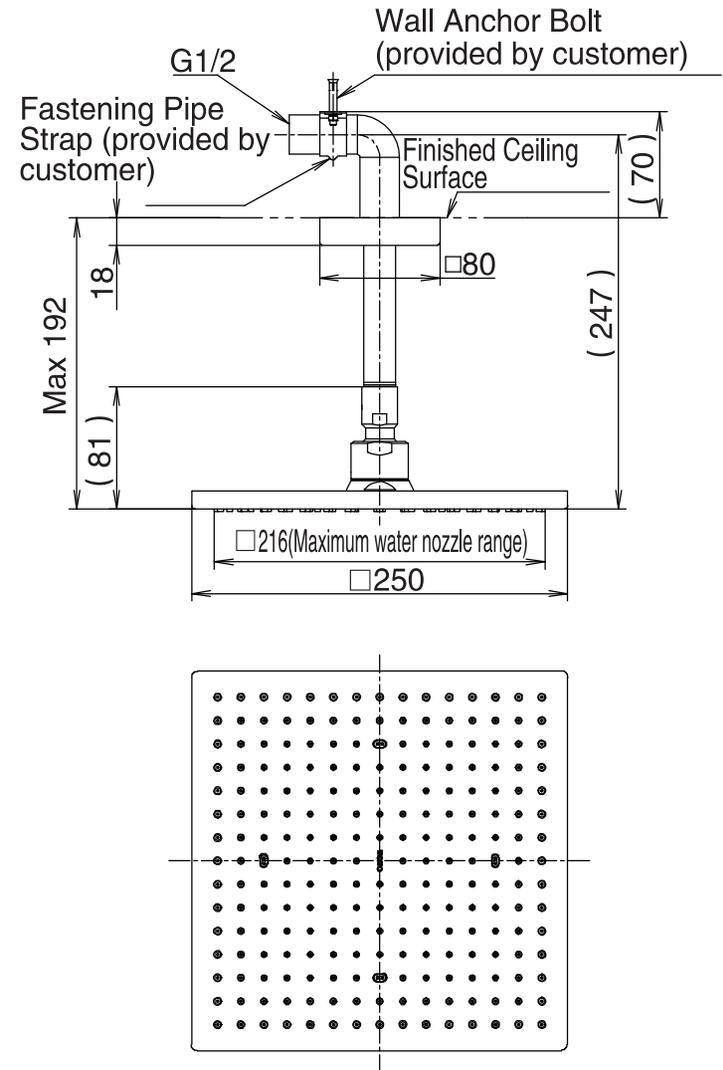
TBW08001*1* "G Shower"1mode Overhead Shower 200(Contemporary Type)



Note: The unit of size in the figure is mm;The size in the () is the reference size.

Installation completion diagram

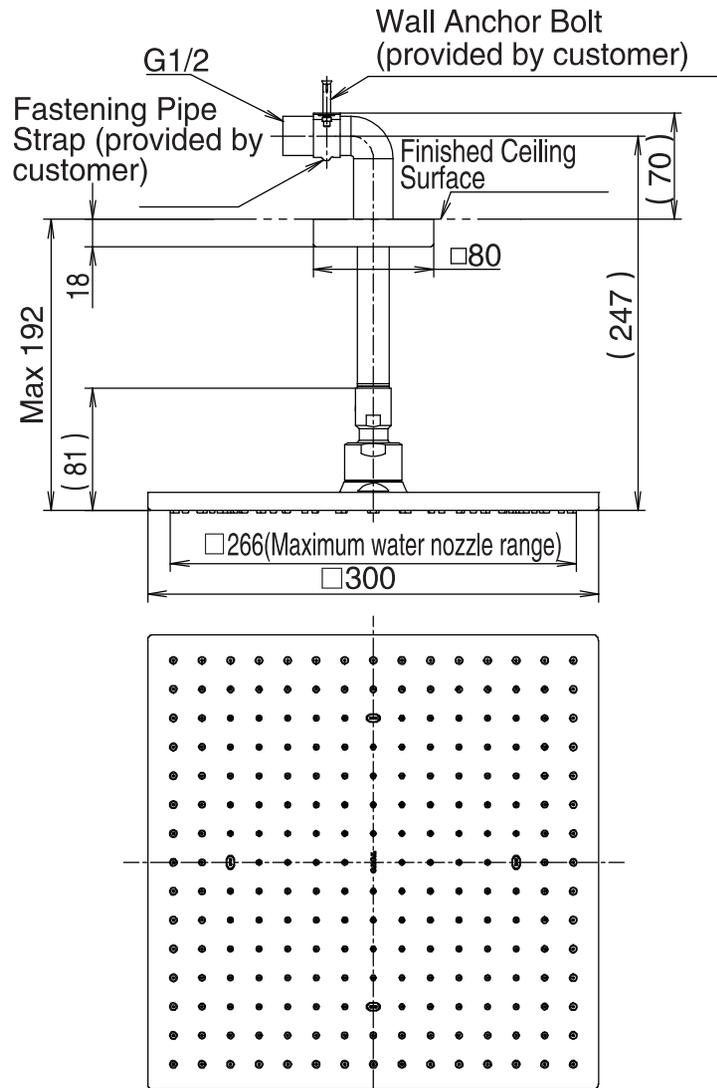
TBW08002*1* "G Shower"1mode Overhead Shower 250(Contemporary Type)



Note: The unit of size in the figure is mm;The size in the () is the reference size.

Installation completion diagram

TBW08003*1* "G Shower"1mode Overhead Shower 300(Contemporary Type)



Note: The unit of size in the figure is mm;The size in the () is the reference size.

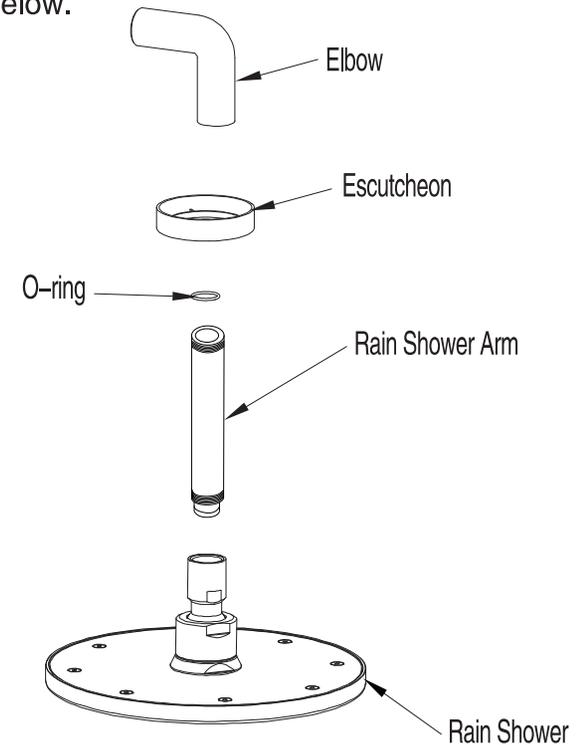
Installation of Rain Shower

Common Tools Needed



Before Installation

- Confirm that the water supply pipeline has been turned off and the water pipeline has been washed before installation.
- Please read the Installation Manual carefully and install the product following the main points for installation in the manual.
- Please confirm that the parts packed in the box are the same as shown below.

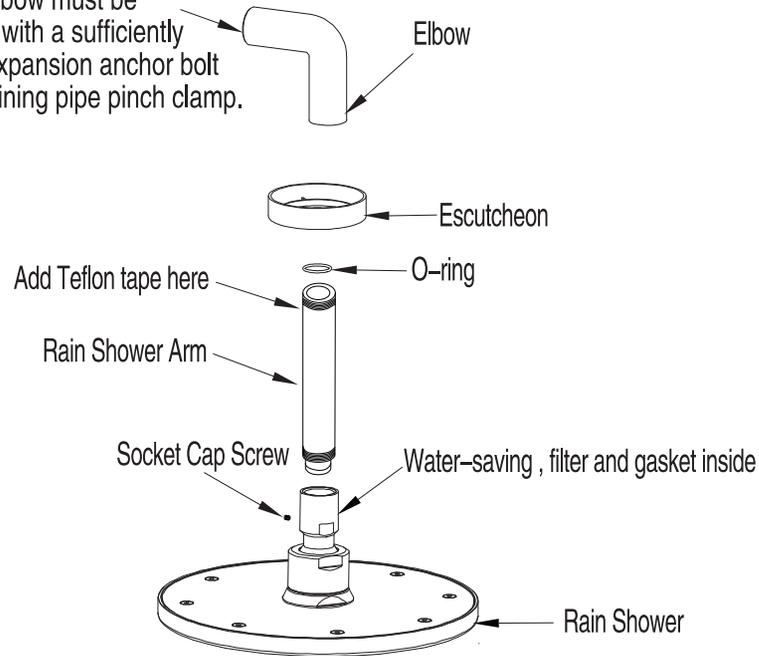


Installation of Rain Shower

Installation of Rain Shower (taking TBW07001*1* as an example)

1. First, wash the water supply pipeline and conduct a pressure test. Please pay full attention to prevent such foreign debris as silt or other impurities from getting into rain shower or water supply pipeline in the process of installation.

※ The elbow must be secured with a sufficiently strong expansion anchor bolt and retaining pipe pinch clamp.



2. Installation of Rain Shower :

- (1) Install the O-ring onto the escutcheon first, and then let the rain shower arm pass through the O-ring;
- (2) Screw the elbow into the connection of the water supply pipeline, then wrap the threads of rain shower arm with a the right amount of Teflon tape and screw it into the elbow, and then adjust the elbow and rain shower arm to the position the rain shower arm vertically downward;
- (3) Screw on the rain shower head and rain shower arm, ensuring the filter and gasket inside does not fall out; then adjust the direction of "TOTO" trademark according to the final assembly, and use a hex wrench to screw in the small set screw into the threaded holes, ensuring to screw in well;
- (4) Finally, adjust escutcheon to the right position.

TOTO Asia Oceania Pte. Ltd.

Telephone: 65-6744-6955

FAX: 65-6841-0819

Address: 10 Eunos Road 8 #12-07 Singapore Post Centre
Singapore 408600

Website: asia.toto.com

TOTO KOREA LTD.

전화번호 : (02)-3141-8236

FAX 번호 : (02)-3141-8240

주소 : 서울시 마포구 토정로 112(상수동, 로이코빌딩 3층)

홈페이지 : <https://kr.toto.com>